

INSTRUCTIONS AND REPAIR PARTS LIST

11H SINGLE DOOR FEEDER - BROWER
1HF DRY LOT FEEDER - BROWER
11HP SINGLE DOOR FEEDER - PRIDE OF THE FARM
1HFP DRY LOT FEEDER - PRIDE OF THE FARM

READ ALL DIRECTIONS CAREFULLY BEFORE BEGINNING INSTALLATION

TOOLS REQUIRED: Straight Blade Screwdriver, Phillips Head Screwdriver, Small Adjustable Wrench, 7/16" Wrench and Center Punch

11H And 11HP Parts List

Ref. No.	Part No.	Description	Qty	Repair
1	13867	Trough Assembly	1	*
2	13868	Back and Sides	1	*
3	13869	Front	1	*
4	13887A	Lower Panel Assembly	1	*
5	13888	Feed Slide Adjustment	1	*
13881 - 11H and 11HP Hardware Bag contains Ref. No. 6-12.				*
6	OF182	1/4"-20 x 1/2" Philips Pan Head Machine Bolt, Zinc	24	
7	OF55	1/4"-20 Hex Nut, Zinc	24	
8	OF160	5/16"-18 Cold Forged Wing Nut, Zinc	2	
9	OF78	1/8" x 3/4" Steel Cotter Pin, Zinc	2	
10	OF121	3/8" ID X 7/8" OD Washer, Zinc	2	
11	13885	Top Hinge	2	*
12	13882	Lid Rod Holder	2	*
13	13883	5/16" x 12-1/2" Lid Rod, Zinc	2	*
14	13884	Lid	1	*
15	13886	Top	1	*

Parts available for repair have an asterisk (*) in the repair column.

1HF And 1HFP Parts List

Ref. No.	Part No.	Description	Qty	Repair
1	13867	Trough Assembly	1	*
2	13868	Back and Sides	1	*
3	13869	Front	1	*
4	13887A	Lower Panel Assembly	1	*
5	13888	Feed Slide Adjustment	1	*
13811 - 1HF and 1HFP Hardware Bag contains Ref. No. 6-8.				*
6	OF182	1/4"-20 x 1/2" Philips Pan Head Machine Bolt, Zinc	22	
7	OF55	1/4"-20 Hex Nut, Zinc	22	
8	OF160	5/16"-18 Cold Forged Wing Nut, Zinc	2	

Parts available for repair have an asterisk (*) in the repair column.

MODEL NUMBER

The MODEL NUMBERS are: 11H Single Door Feeder-Brower, 1HF Dry Lot Feeder-Brower, 11HP Single Door Feeder-Pride, 1HFP Dry Lot Feeder-Pride

WHEN ORDERING PARTS

- (1) Show MODEL NUMBER and NAME: Example - 11H Single Door Feeder-Brower
- (2) Show PART NUMBER and FULL DESCRIPTION of part: Example - 13886 Top

HOW TO ORDER PARTS

Repair Parts may be ordered from your dealer.



PO BOX 2000 • HOUGHTON, IOWA 52631 • USA
PHONE 319-469-4141 FAX 319-469-4402
www.hawkeysteel.com E-mail: sales@hawkeysteel.com



ISH11H
REV. 3.4
PRINTED IN U.S.A.

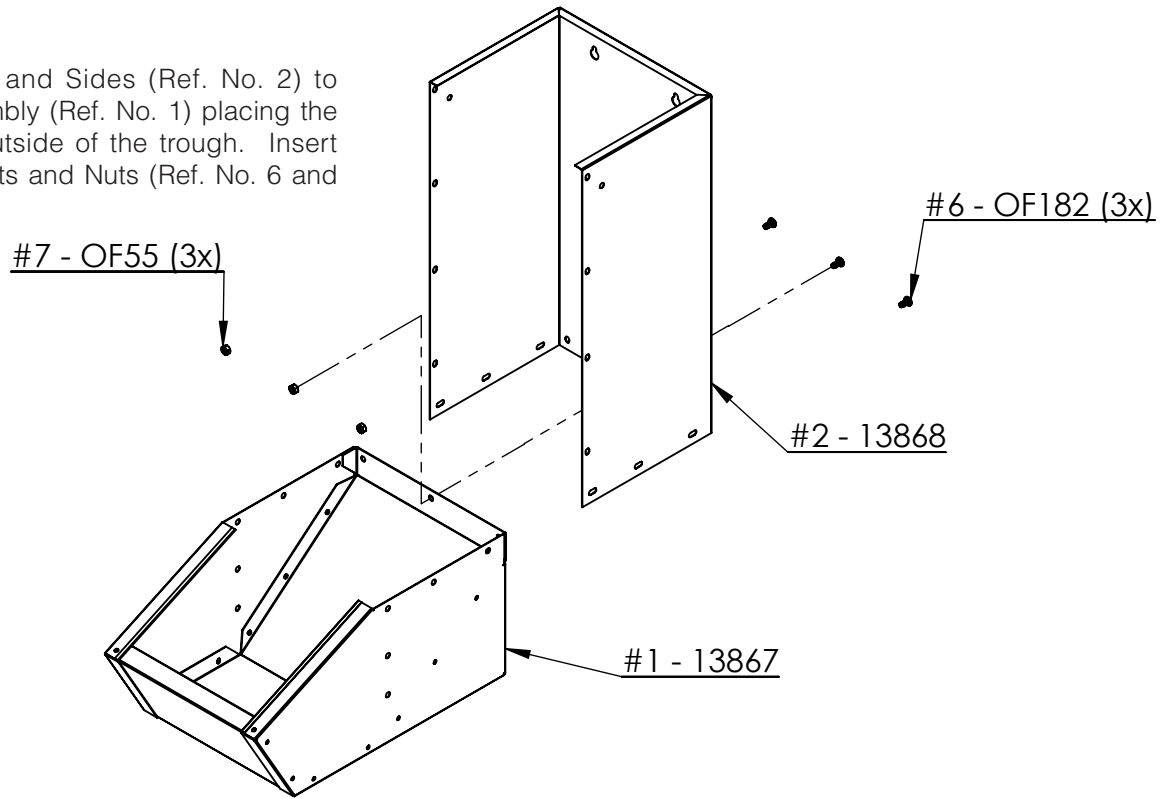
ASSEMBLY INSTRUCTIONS

DO NOT TIGHTEN ANY FASTENERS UNTIL INSTRUCTED TO DO SO!

For Model 11H/11HP, follow steps 1 through 6. For Model 1HF/1HFP, skip step 5.

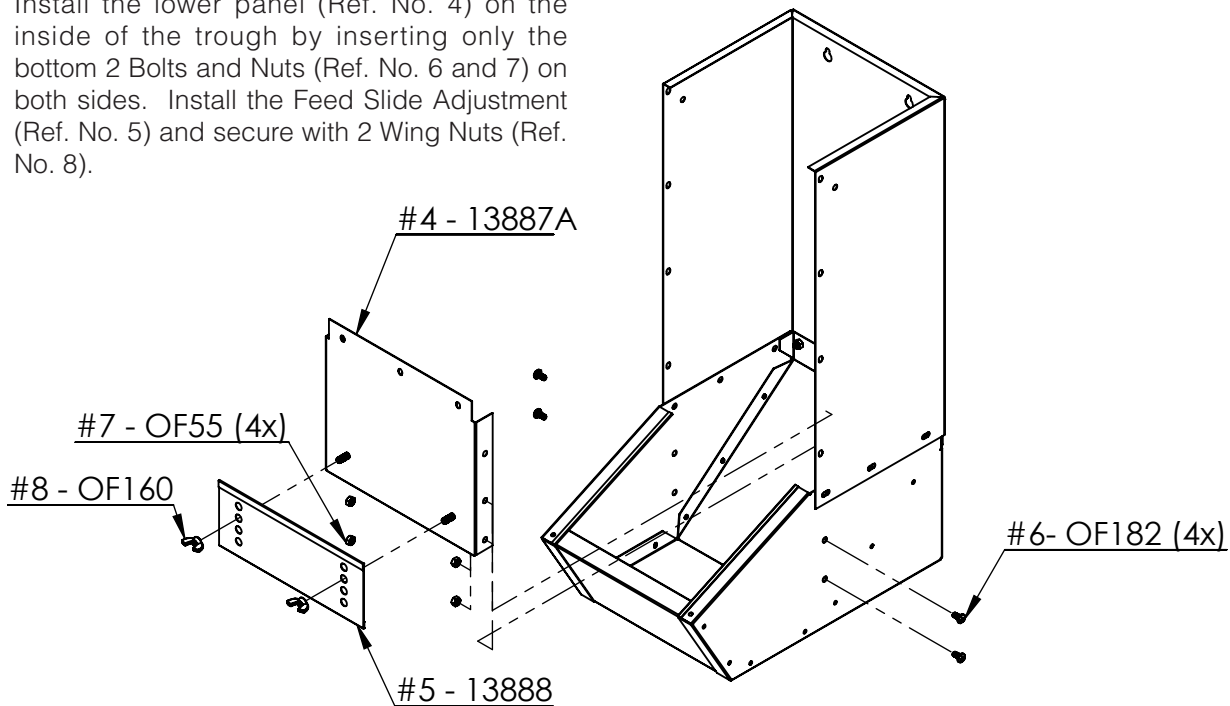
STEP 1

Attach the Back and Sides (Ref. No. 2) to the Trough Assembly (Ref. No. 1) placing the hopper on the outside of the trough. Insert only the back Bolts and Nuts (Ref. No. 6 and 7).



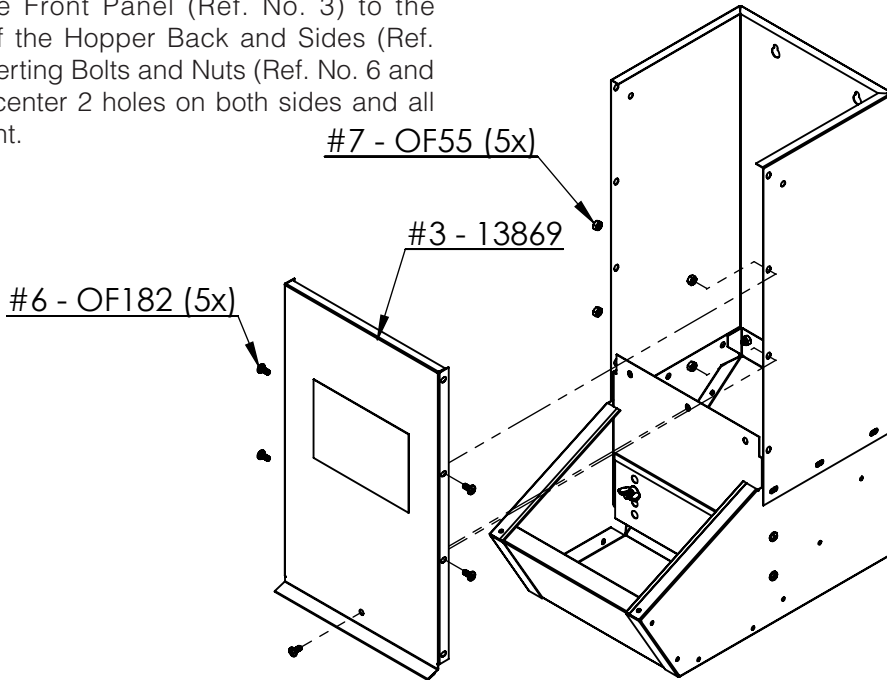
STEP 2

Install the lower panel (Ref. No. 4) on the inside of the trough by inserting only the bottom 2 Bolts and Nuts (Ref. No. 6 and 7) on both sides. Install the Feed Slide Adjustment (Ref. No. 5) and secure with 2 Wing Nuts (Ref. No. 8).

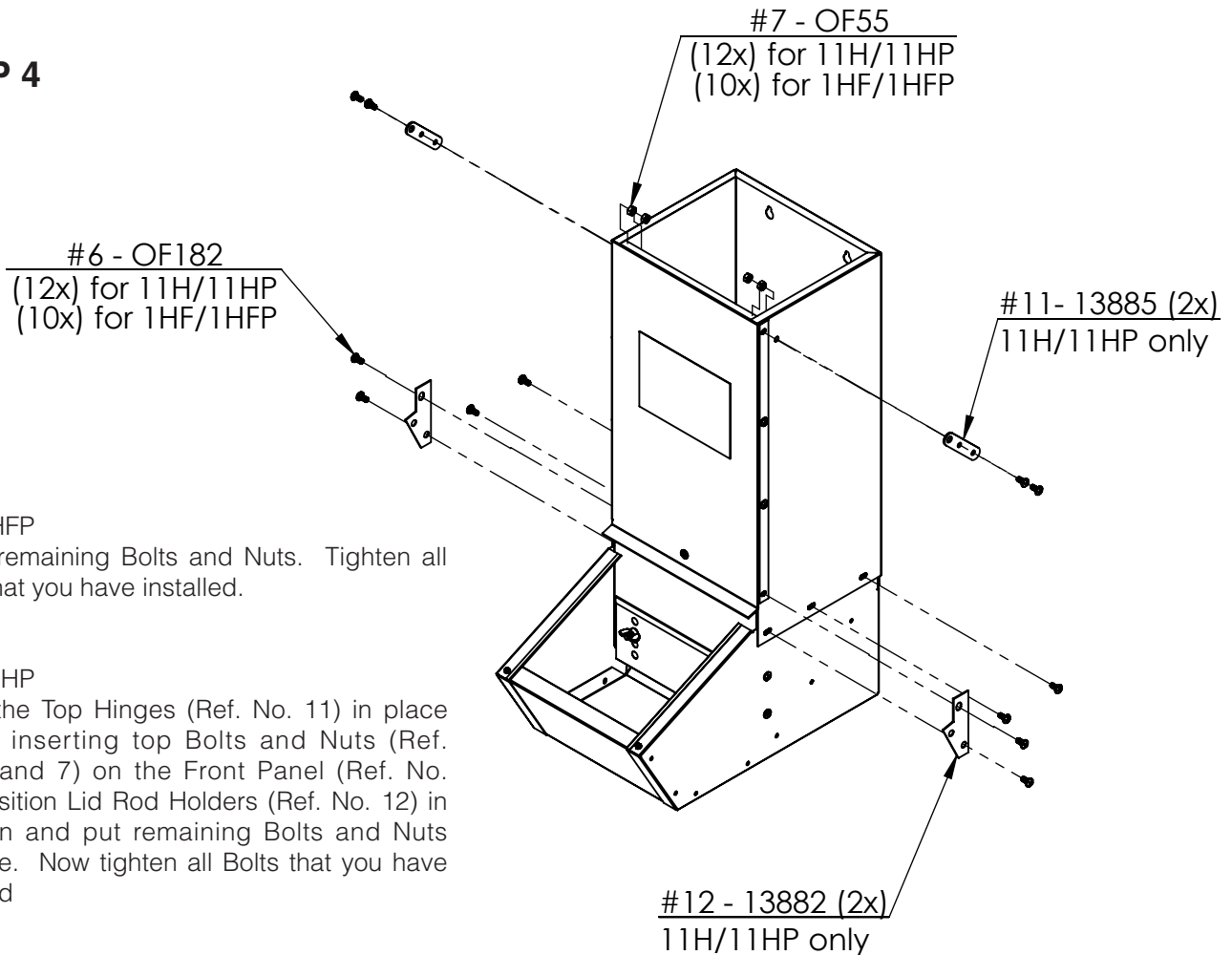


STEP 3

Install the Front Panel (Ref. No. 3) to the outside of the Hopper Back and Sides (Ref. No. 2) inserting Bolts and Nuts (Ref. No. 6 and 7) in the center 2 holes on both sides and all on the front.



STEP 4

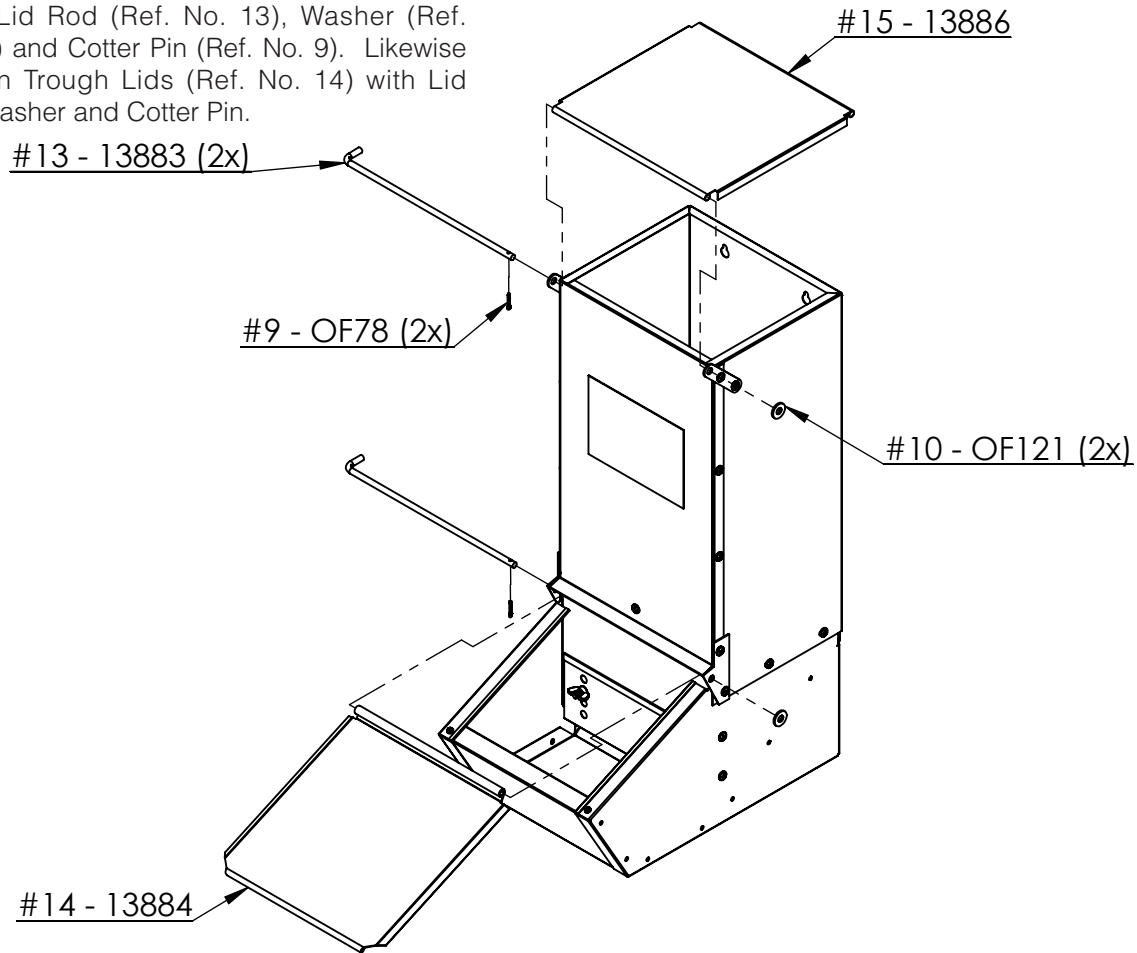


1HF/1HFP
Install remaining Bolts and Nuts. Tighten all Bolts that you have installed.

11H/11HP
Place the Top Hinges (Ref. No. 11) in place before inserting top Bolts and Nuts (Ref. No. 6 and 7) on the Front Panel (Ref. No. 3). Position Lid Rod Holders (Ref. No. 12) in position and put remaining Bolts and Nuts in place. Now tighten all Bolts that you have installed

STEP 5 (11H/11HP Only)

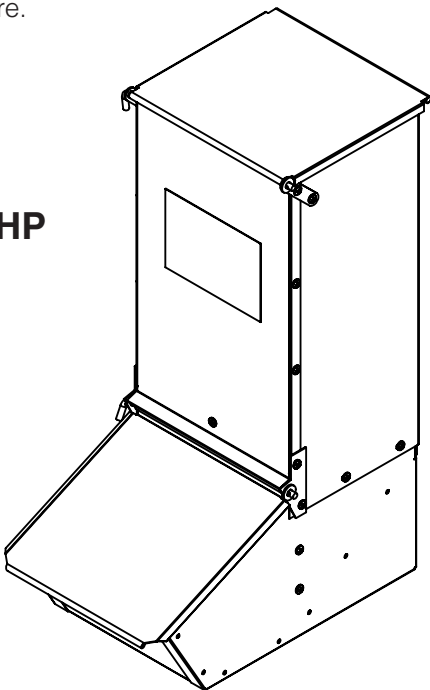
Install the Hopper Top (Ref. No. 15) and insert Lid Rod (Ref. No. 13), Washer (Ref. No. 15) and Cotter Pin (Ref. No. 9). Likewise position Trough Lids (Ref. No. 14) with Lid Rod, Washer and Cotter Pin.



STEP 6

Check to make sure that all fasteners are secured. Your feeder is ready for use. The feed slide adjustment height can be changed as you desire.

11H/11HP



1HF/1HFP

